

Liberty Pumps®

Engineered **Products**



Patent: See
www.LibertyPumps.com/LEP/patents

3XLV05-Series

Vortex

5 hp

Hazardous Location

Class 1, Division 1, Groups C and D, T4
Class 1, Zone 1, Groups IIA and IIB, T4

60 Hz

- 3" Solids handling
- Horizontal 4" discharge



Technical Data



Performance Curve



Dimensional Data



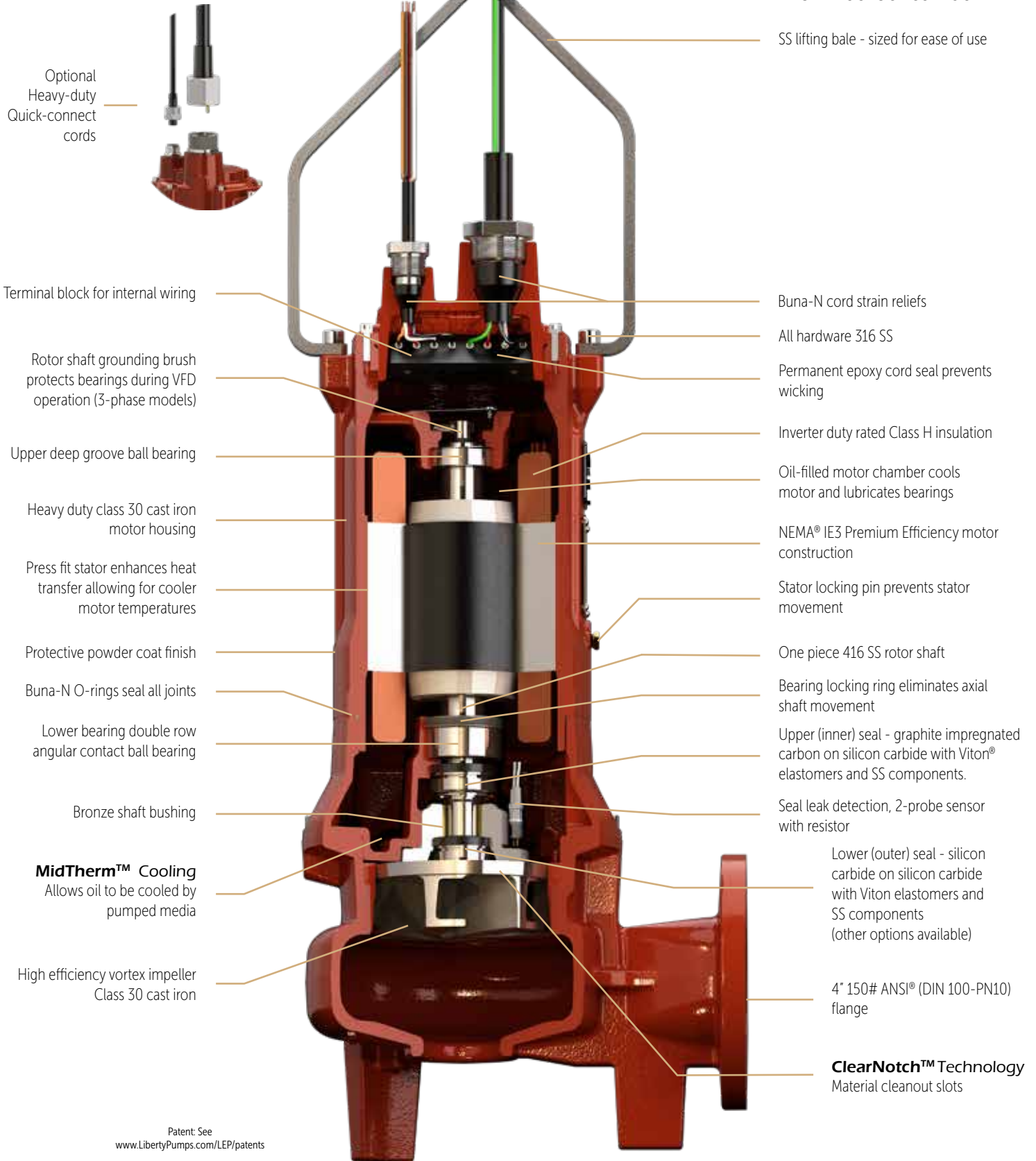
Specifications and Construction

Proudly built in the USA with
US and global components



Certified to CSA, UL,
and FM standards

3XLV05-Series - 60 Hz



Patent: See www.LibertyPumps.com/LEP/patents

ClearNotch™ Technology
Material cleanout slots

Model Number	3XLV052A	3XLV053A	3XLV054A	3XLV055A
HP	5	5	5	5
Volts	230	200/230*	460	575
Phase	1**	3	3	3
Hz	60	60	60	60
RPM	1750	1750	1750	1750
FLA	24.5	17.6/16	8.0	6.5
SFA	28	21.2/19.2	9.4	7.8
LRA	129	120	59.3	38.9
Max kW Input	5.4	5.2	5.2	5.2
NEMA Code	—	A	A	A
Service Factor	1.3	1.3	1.3	1.3
Power Factor (%)	98	80	80	80
KVA Code	F	M	M	K
Motor Efficiency @ Full Load (%)	85.6	89.5	89.5	88.7
Std Impeller Diameter (in)	6.0	6.0	6.0	6.0
Shut-Off Head w/Std Impeller (ft)	38	38	38	38
Max Usable Head w/Std Impeller (ft)	36	36	36	36
Min Head w/Std Impeller (ft)	16	16	16	16
Max Flow @ Min Head (GPM)	380	380	380	380
Power Cord Type & Diameter	Type W, 1 in	SOOW, 0.72 in	SOOW, 0.72 in	SOOW, 0.72 in

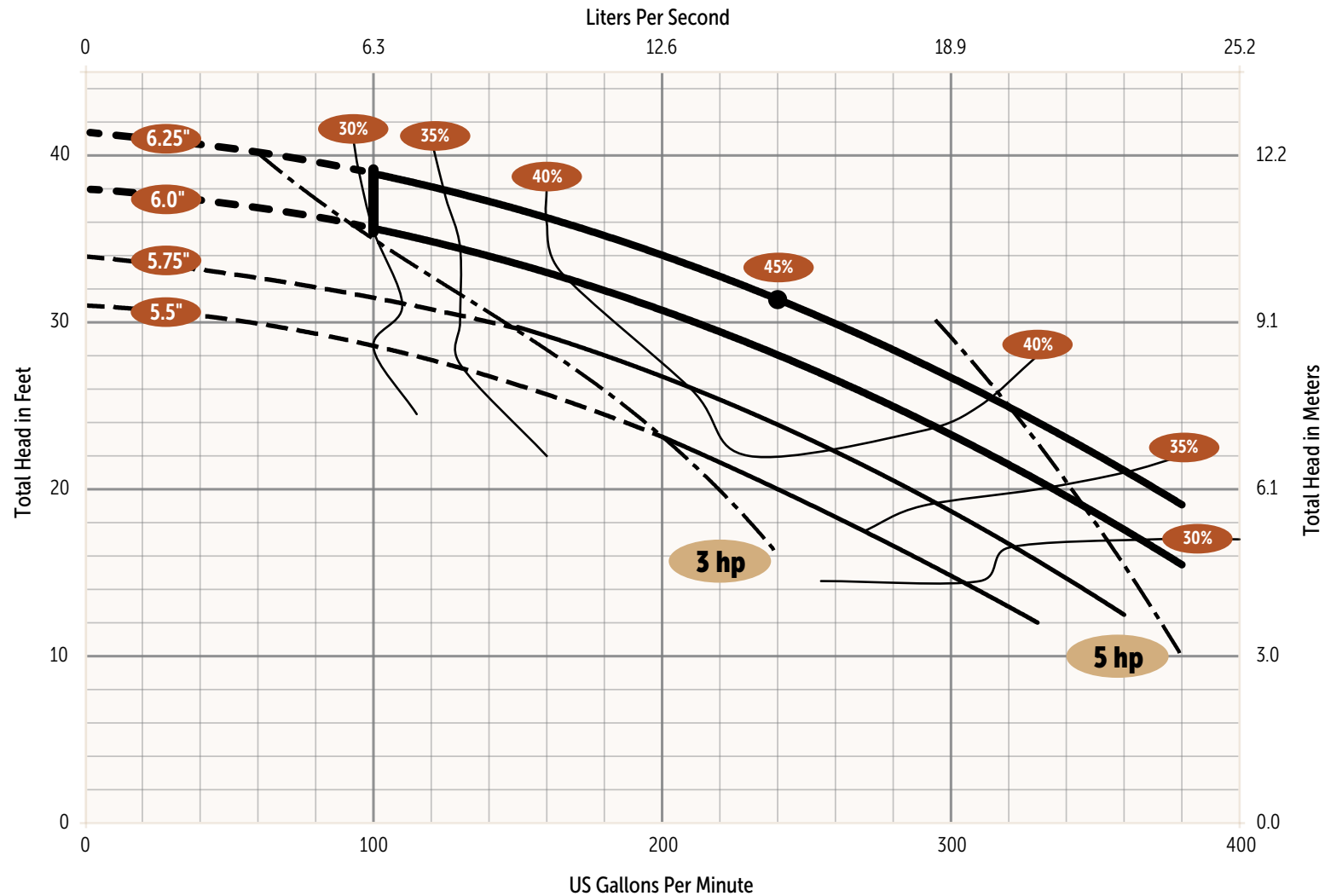
* System voltages: 208 and 240 volts with utilization voltages: 200 and 230 volts. These pumps are able to be rewired to 460 volts in the field.

** Single-phase motors require capacitors. Liberty Pumps control panel or capacitor kits are recommended for proper operation and warranty. Refer to "Control Panel" section.

Motor Insulation Class	H 180°C
Impeller Type	Vortex
Impeller Material	Class 30 Cast Iron
Control Cord Type & Diameter	18/5 SOOW, 0.375 in
Power Cord Length (Options)	35, 50, 100 ft
Heavy-duty Quick-connect Cords	Optional
Upper (Inner) Seal Material	Graphite Impregnated Carbon - Rotating Silicon Carbide - Stationary Viton Elastomers
Lower (Outer) Seal Material (Standard)	Silicon Carbide on Silicon Carbide Viton Elastomers
Lower (Outer) Seal Material (Optional)	Tungsten Carbide on Tungsten Carbide Viton Elastomers
Max Water Temp for Continuous Duty	40°C
Min Fluid Level for Continuous Operation	Motor Housing Fully Submerged
Fluid pH Range	4–10
Starts Per Hour	30
Shaft Material	416 Stainless Steel
Fastener Material	316 Stainless Steel
O-Ring Elastomers	Buna-N

Upper Bearing	Single Row Deep Groove
Lower Bearing	Double Row Angular Contact
Oil Type	ISO VG10 Turbine Oil
Max Submersion Depth	75 ft
Solids Handling	3 in
Discharge	Horizontal 4 in 150# ANSI (DIN 100-PN10)
Protective External Finish	Powder Coat
Seal Fail Detection	Dual Probe - 2 Wire with Resistor 200K ohm Resistance
Thermal Protection	1-phase - 2 Hermetically Sealed Thermostats 3-phase - 3 Hermetically Sealed Thermostats 125°C Opening Temperature 105°C Closing Temperature 3A @ 120VAC, 1A @ 240 VAC
Hazardous Location T-Code	T4 (135°C with Thermals Connected) T2 (300°C without Thermals Connected)
Volute Material	Class 30 Cast Iron
Pump Weight	320 lbs (approx)
Certifications	CSA Certified to CSA, UL® and FM Standards CAN/CSA - C22.2 No. 145-11 UL 674 5th Ed FM 3615:2016 Class 1, Div. 1, Group C and D, T4 Class 1, Zone 1, Group IIA, IIB, T4

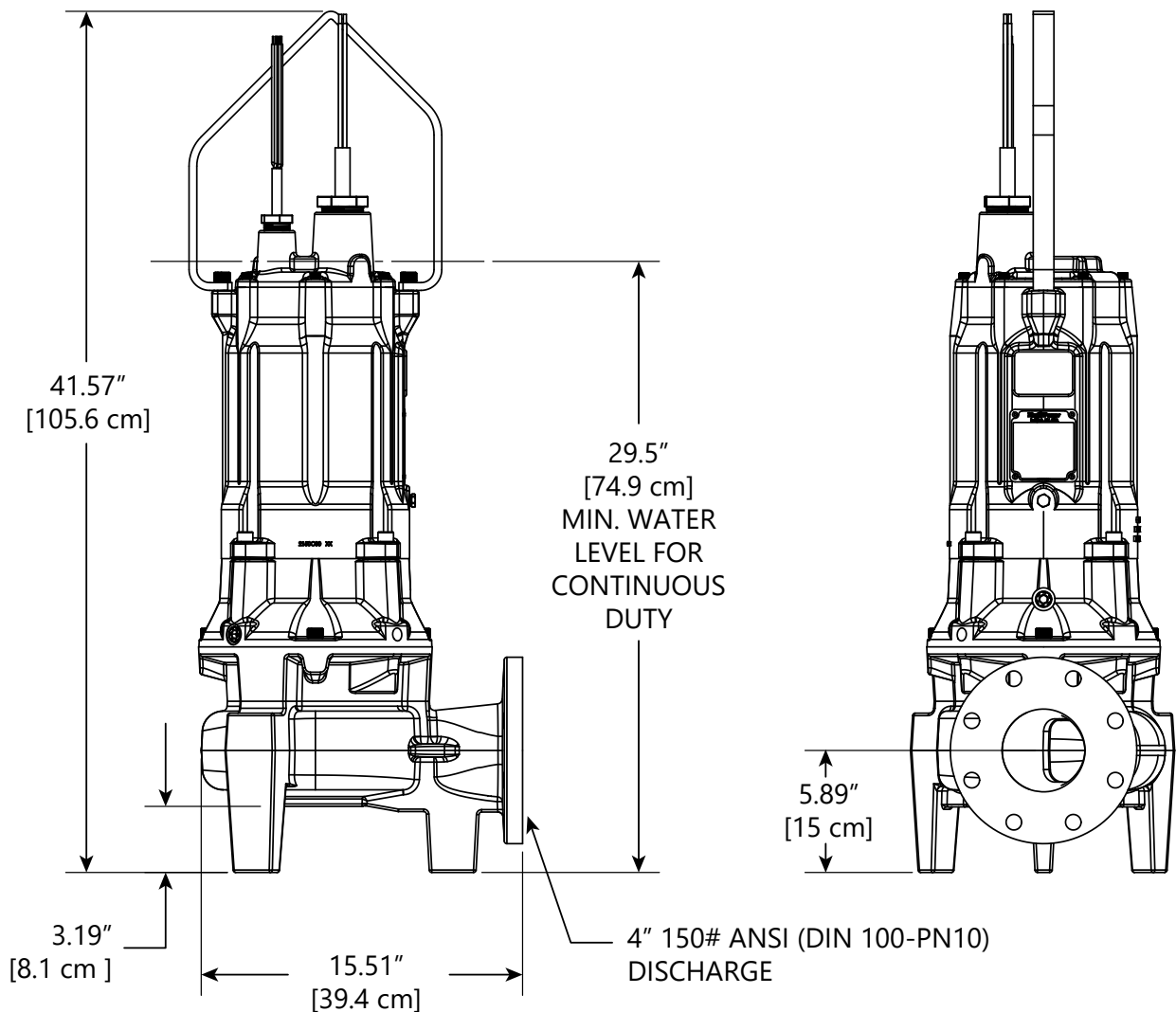
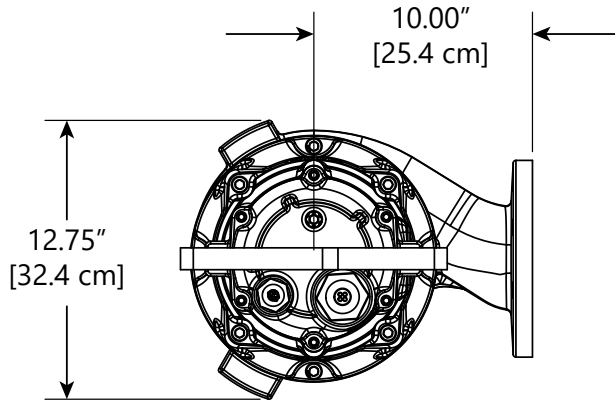
Specifications are subject to change without notice.



Stated efficiency values are hydraulic efficiency. Wire-to-Water (total) efficiency information is available upon request.

Pumps must operate within the proper range shown on the performance chart - between minimum flow of 100 gpm and min head requirements. It is the responsibility of the end user to ensure this requirement is met. Pumps operating outside the recommended range are prone to damage, excessive vibration, cavitation, poor efficiency, and may exceed nameplate amperage.

Specifications are subject to change without notice.



Specifications are subject to change without notice.

GENERAL

The contractor shall provide labor, material, equipment, and incidentals required to provide _____ (QTY) sewage pumps as specified herein. The pump models covered in this specification are model 3XLV052A 1-phase, and 3XLV053A, 3XLV054A, and 3XLV055A 3-phase vortex pumps. Each pump shall be permanently marked on its stainless steel nameplate indicating that the unit has been certified by an accredited NRTL third party to meet CSA, UL, and FM standards for use in NEC® class 1, division 1, groups C & D and class 1, zone 1, groups IIA & IIB hazardous locations. The pump furnished for this application shall be model _____ as manufactured by Liberty Pumps.

OPERATING CONDITIONS

Each submersible pump shall be rated at 5 hp, _____ Volts, _____ phase, 60 Hz, 1750 RPM. The unit shall produce _____ GPM at _____ feet of total dynamic head.

The submersible pump shall be capable of handling residential and commercial sewage with 3" solids handling capability. The 3XLV05-Series submersible pump shall have a shut-off head of 38 feet and a max flow of 380 GPM @ 16 feet of total dynamic head.

CONSTRUCTION

Each centrifugal sewage pump shall be equal to the Certified 3XLV05-Series pumps as manufactured by Liberty Pumps, Bergen NY. The casting enclosing the motor shall be constructed of class 30 cast iron. The complete motor enclosure shall be designed and manufactured to meet stringent hazardous location guidelines with performance verified via flame propagation and hydrostatic testing. The motor housing shall be oil-filled to dissipate heat. Air-filled motors shall not be considered equal since they do not properly dissipate heat from the motor. Mating parts shall be machined and sealed with a Buna-N O-ring. All fasteners exposed to the process fluid shall be stainless steel. The motor shall be protected on the top side with a sealed cast iron cord entry plate, which is potted to prevent water from entering through the cord. The motor shall be protected on the lower side with a dual mechanical seal arrangement and an oil-filled intermediate chamber. The upper (inner) seal shall be a two-piece mechanical seal with a graphite impregnated carbon rotating and a silicon carbide stationary face. The lower (outer) seal shall be a two-piece mechanical seal with silicon carbide faces. The upper and lower bearings shall be sized to properly withstand radial and thrust loads produced throughout the full operating range of the pump.

POWER AND CONTROL CORD

The submersible pump shall be supplied with 35, 50, or 100 feet of a multi-conductor cord of type W for the 3XLV052A model, and type SOOW for the 3XLV053A, 3XLV054A and 3XLV055A models. These type W & SOOW power cords carry a voltage rating of 600 V, a temperature rating of 90°C, have oil-resistant insulation, are water- and weather-resistant, UL listed, and CSA approved.

The power cord shall be sized for the rated full load amps of the pump for continuous duty in accordance with the NEC. A separate type SOOW control cord of equal length shall also exit the pump. The cord entries to the pump shall be protected via two sealing methods. The cords first pass through a Buna-N compression grommet that seals against the outer jacket of the cord. The Buna-N grommet also doubles as a strain relief. Each individual conductor then continues into a chamber that is filled with epoxy potting compound. The epoxy potting compound seals each individual conductor and protects against any intrusion of liquid into the motor cavity in the event of wicking. The power and control cord leads shall be connected to the motor leads via a terminal block.

HEAVY-DUTY QUICK-CONNECT CORD

(OPTIONAL)

Optional Heavy-duty Quick-connect cord shall offer quick cord replacement without the need to send the entire pump to an authorized repair facility. This shall also allow for pump maintenance without disturbing electrical boxes or control panels. A terminal block shall be used for internal wire connections.

BEARINGS AND SHAFT

The shaft shall be supported by two ball bearings. The top bearing shall be a deep groove radial contact ball bearing and the lower bearing shall be a double row angular contact ball bearing designed to handle the radial and axial forces incurred by pumping. The lower bearing shall be positively retained by a threaded bearing retaining nut, which eliminates any axial movement or rotation of the outer bearing race. Both bearings shall be permanently lubricated by the oil that fills the motor housing. Pump designs requiring scheduled bearing maintenance shall not be considered equal. Pumps with single row lower bearings or sleeve bearings shall not be considered equal. The bearing system shall be sized to provide a minimum of 100,000 hours B10 bearing life throughout the operating range of the pump. Pumps that only provide a 50,000 hour B10 bearing life shall not be considered equal.

The motor shaft shall be made of 416 stainless steel. The motor shaft shall be constructed from a single piece of stainless steel. Spin welded shafts shall not be considered equal. The shaft shall be designed to withstand the maximum torque and radial loads present during start-up and normal operation. Shafts of carbon steel or chrome-plated shafts shall not be considered equal.

MOTOR

The motor shall be oil-filled, inverter duty, Class H insulated, NEMA A design (3-phase models), and rated for continuous duty. Since air-filled motors are not capable of dissipating heat efficiently, they shall not be considered equal. The mid chamber design utilizing **MidTherm™ Cooling** technology shall allow for oil in the motor chamber to reject heat to the pumped media and provide cooling to the motor. This motor design shall provide significantly reduced operating temperatures. Pumps requiring an auxiliary cooling means shall not be considered equal.

The motor shall be constructed to meet IE3 Premium Efficiency standards in accordance with NEMA MG1. The copper stator windings shall be insulated with moisture-resistant Class H insulation materials, rated for 180°C per NEMA MG1 1.66. The maximum continuous temperature of pumped liquids shall be 40°C. The winding operating temperature at rated horsepower and service factor shall be a maximum of 125°C @ 40°C ambient.

Motor shall have UL approved thermostats mounted directly on the stator windings. Motor shall have two thermostats on the 3XLV052A model, and three thermostats, one on each phase, on models 3XLV053A, 3XLV054A, and 3XLV055A. The thermostat leads of the control cord shall be connected to a motor control relay in the control panel.

Motor service factor shall be 1.3 under normal conditions and 1.0 when operated on a Variable Frequency Drive (VFD) per MG1 standard. Motor shall have a voltage tolerance of ±10% from nominal. Motor shall meet the requirements of NEMA MG1 Part 30 and 31 for operation on Pulse Width Modulation type VFD with inverter duty rated magnet wire and insulation. Motor shall be capable of handling up to 30 evenly spaced starts per hour without overheating.

SEALS

The pump shall have two shaft seals separated by an oil chamber. Pumps utilizing single seal technology shall not be considered equal. A leak detection probe shall be positioned in the oil chamber and shall allow for continuous monitoring for lower (outer) seal failure. The lower seal shall be a two-piece design that is easily serviceable. Shaft seals shall not require scheduled maintenance. The upper (inner) seal shall be graphite impregnated carbon on silicon carbide and the lower seal shall be silicon carbide on silicon carbide. Both seals shall include stainless steel housings and Viton elastomers. Lower seals shall be optionally available in tungsten carbide.

IMPELLER

The impeller shall be ASTM class 30 cast iron. The impeller shall be dynamically balanced after machining. An open recessed vortex impeller design shall provide the highest efficiency. Impeller shroud is designed to operate in close proximity to the pump volute casing to prevent solids from entering the seal area. **ClearNotch™** clean out notches shall be present in the impeller and volute casing to prevent solids from building up between the impeller shrouds and volute casing. The impeller shall be keyed and bolted onto the tapered motor shaft.

CONTROL PANEL

All 3XLV05-Series pumps require a control panel. The control panel shall be equipped with circuit breakers and adjustable overload devices to protect against excess current or electrical problems. Model 3XLV052A shall additionally require a start and run capacitor in the control panel. This device shall be sized appropriately for the pump model(s) being controlled.

The control panel shall include thermal overload relay(s) that shall shut down the pump in the event the thermostats in the motor open. Thermostats shall be connected in the control panel to maintain hazardous location temperature classification rating of T4 (135°C).

The control panel shall include a seal fail monitoring device that shall indicate a primary seal failure. The seal fail monitoring device shall be capable of monitoring the resistance of the seal failure probe in the pump. The sensitivity of the seal fail monitoring device shall be adjustable from approximately 1KΩ to at least 250kΩ.

The control panel for 1-phase models shall include a motor start circuit that automatically engages and disengages the start windings of the 1-phase motor. The motor start circuit shall consist of a properly sized relay which engages and disengages the motor start windings. A solid state start switch shall monitor start winding voltage and shall control the aforementioned relay. The start and run capacitors shall be properly sized per the motor specifications. A bleed resistor shall be used on the start capacitor to avoid unwanted voltage spikes during startup. Capacitor start/run components (Kit#K001864) are available for 1-phase models using a non-Liberty Pumps control panel.

The control panel shall include intrinsically safe float circuits when pumps are installed in hazardous locations. Control panels themselves shall be located outside the hazardous location, and shall be installed according to all state, local, and federal codes.

Pump Model	Voltage	Control Panel Model			
		Fiberglass Enclosure		Stainless Steel Enclosure	
		Duplex	Simplex	Duplex	Simplex
3XLV052A	230	LEDX2-40A	LESX2-40A	LED SX2-40A	LESSX2-40A
3XLV053A	200/230	LEDX3-35	LESX3-35	LED SX3-35	LESSX3-35
3XLV054A	460	LEDX3-35	LESX3-35	LED SX3-35	LESSX3-35
3XLV055A	575	LEDX5-35	LESX5-35	LED SX5-35	LESSX5-35

SHAFT GROUNDING BRUSH

3-phase pumps shall be equipped with a shaft grounding brush. Pumps not utilizing a current mitigation technology shall not be considered equal.

QUALITY CONTROL

The pump shall be manufactured in an ISO[®] 9001 certified facility. Manufactured in the USA with US and global components.

SUPPORT

The pump shall have cast iron support legs, enabling it to be a freestanding unit. The legs shall be high enough to allow solids and long stringy debris to enter the pump inlet.

PROTECTIVE FINISH

The exterior of the casting shall be protected with corrosion-resistant baked-on powder coat.

TESTING

The pump shall have a ground continuity check and undergo a hi-pot test for electrical integrity, moisture content, and insulation defects. The motor housing and mid chamber shall be pressurized, and an air leak decay test performed to ensure integrity of the assembled unit. The pump shall be run at rated voltage to verify current, performance curve and monitor operation. Certified performance testing is available upon request.

APPLICATIONS

- Municipal Engineered Lift Stations
- Storm Water Removal
- Wastewater Transfer
- Industrial Wastewater
- Treatment Plants

MATERIAL FEATURES PUMP:

- Solids - 3" Spherical Capability
- Discharge - 4" Horizontal 150# ANSI (DIN 100-PN10)
- Seals - Dual Mechanical with Viton Elastomers, Upper (Inner) - Graphite Impregnated Carbon on Silicon Carbide; Lower (Outer) - Silicon Carbide on Silicon Carbide
- Construction - Cast Iron ASTM A48, Class 30, 30,000# Tensile Strength; Designed and Manufactured to Meet CSA, UL, and FM Standards for Use in NEC Class 1, Division 1, Groups C & D and Class 1, Zone 1, Groups IIA & IIB Hazardous Locations; Protected with a Corrosion-Resistant Baked-on Powder Coating
- Hardware - 316 Stainless Steel
- O-ring Seals - Buna-N
- Cast Iron Impeller - Vortex with **ClearNotch™** Self-cleaning Features
- Thermal Sensors and Moisture Detection System
- Optional:
 - Heavy-duty Quick-connect Power and Control Cords
 - Cord Length Options (feet) - 35, 50, 100
 - Trimmed Impeller
 - Tungsten Carbide on Tungsten Carbide Lower Seal

MOTOR:

- 1-Phase - 230 Volt, 1750 RPM
- 3-Phase - 200/230, 460, 575 Volt, 1750 RPM
- Inverter Duty, Class H Insulation, NEMA A Design (3-phase models)
- Oil-filled Motor Housing
- Cast Iron Housing with **MidTherm™ Cooling** Deep Sump Design for Improved Heat Dissipation
- Continuous Duty Operation
- Bearings
 - Upper - Single Row Deep Groove Radial Contact
 - Lower - Double Row Angular Contact

LIMITED WARRANTY

Liberty Pumps, Inc. warrants that pumps of its Engineered Product line are free from all factory defects in material and workmanship for a period of 18 months from the date of installation or 24 months from the date of manufacture, whichever occurs first, and provided that such products are used in compliance with their intended applications as set forth in the Liberty Engineered Products specifications and technical manuals. The date of installation shall be determined by a completed pump start-up report and warranty registration form.

A pump startup report, filled out by a qualified installer, is required for warranty to take effect. The report must be submitted within 30 days from the installation date and submitted through the Liberty Pumps website. During the warranty period, the manufacturer's obligation, and at its discretion, shall be limited to the repair or replacement of any parts found by the manufacturer to be defective, provided the product is returned freight prepaid to the manufacturer or its authorized service center, and provided that none of the following warranty-voiding characteristics are evident:

The manufacturer shall not be liable under this Warranty if the product has not been properly installed or maintained in accordance with the printed instructions provided; if it has been disassembled, modified, abused or tampered with; if the pump discharge has been reduced in size; if the pump has been used in water temperatures above those shown in the specifications; if the thermal overload(s) and seal moisture probe(s) have not been properly connected (where equipped); if the pump has been used in water containing sand, lime, cement, gravel or other abrasives; if the product has been used to pump chemicals or hydrocarbons; if the product has been moved from its original installation location, or if the label bearing the serial and code number has been removed.

Liberty Pumps, Inc. shall not be liable for any loss, damage or expenses resulting from installation or use of its products, or for consequential damages, including field labor costs, travel expenses, rental equipment, costs of removal, reinstallation or transportation to and from the factory or an authorized Liberty Pumps repair facility.

There is no other express warranty. All implied warranties, including those of merchantability and fitness for a particular purpose, are limited to 18 months from the date of installation or 24 months from the manufacturing date. This Warranty contains the exclusive remedy of the purchaser, and, where permitted, liability for consequential or incidental damages under any and all warranties are excluded.